

- o Flat Cable Connectors SEK
- o *har-mik®*
- o D-Sub
- o InduCom

➔ Applications



Product details

09 21 064 3001

Male insert, Han 64 D

Series	Han D®, Han D® AV
Number of contacts	64 poles + PE
Size of hood/ housing	Han® 24 B
Termination	Crimp termination
Insert material	Standard material
Contacts	Order separately
Electrical data	10 A 250 V 4 kV 3
RoHS compliant	Yes

Available Downloads

Title	Format	
Data sheet	PDF	↕ download
CAD data 2D	DXF	↕ download
CAD data 3D	IGES	↕ download
CAD data 3D	STEP	↕ download

Inquiry

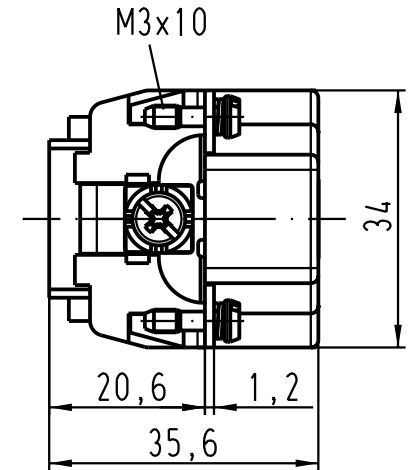
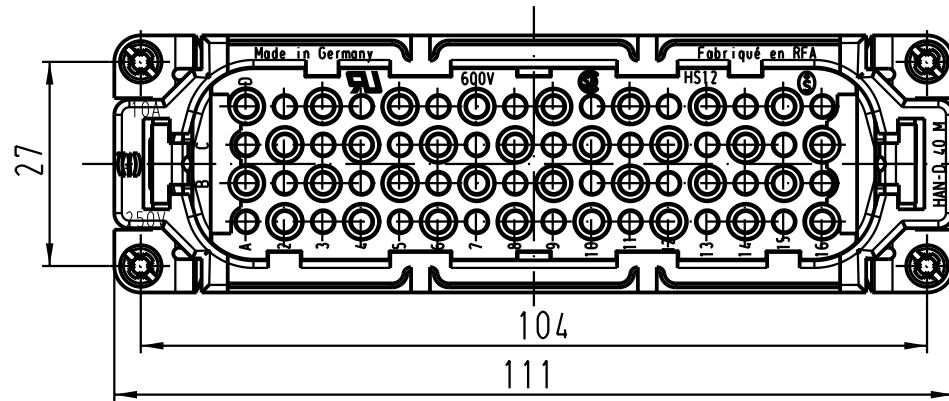
5

4

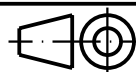
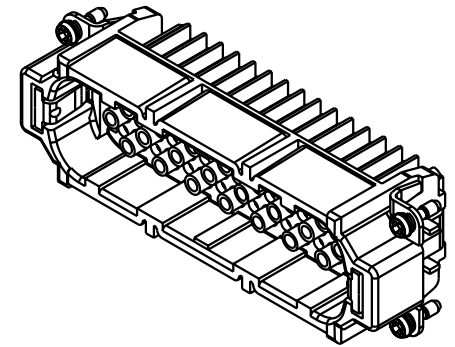
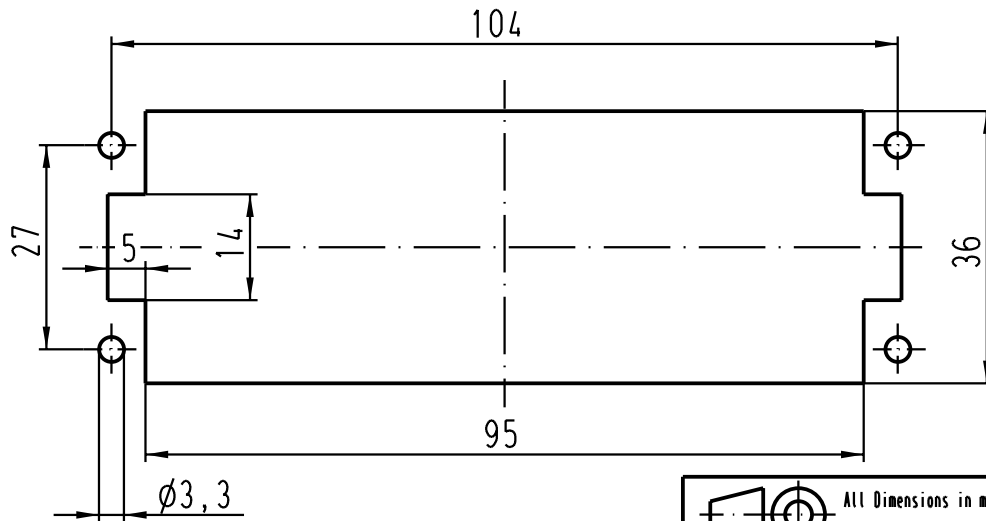
3

2

1



Montageausschnitt/
panel cut out



All Dimensions in mm
Original Size DIN A 4

Techn. Character.

Nicht tolerierte Masse / Free size tolerances

			Dat.	Name	Masstab/Scale
			Detail.	12.04.99 KR	1:1
			Insp.	SDT.	
			Stand.		
410526	18.07.03	Ho	HARTING Electric GmbH & Co. KG		
25626			D-32339 Espelkamp		
Mod.	Dat.	Name			

Han 64D-M-c
Stifteinsatz / male insert

TB 09 21 064 3001
Sub. TB 09 21 0.. 3001 Bl.2/2 v. 09.12.92

Blatt/ page

D

C

B

A